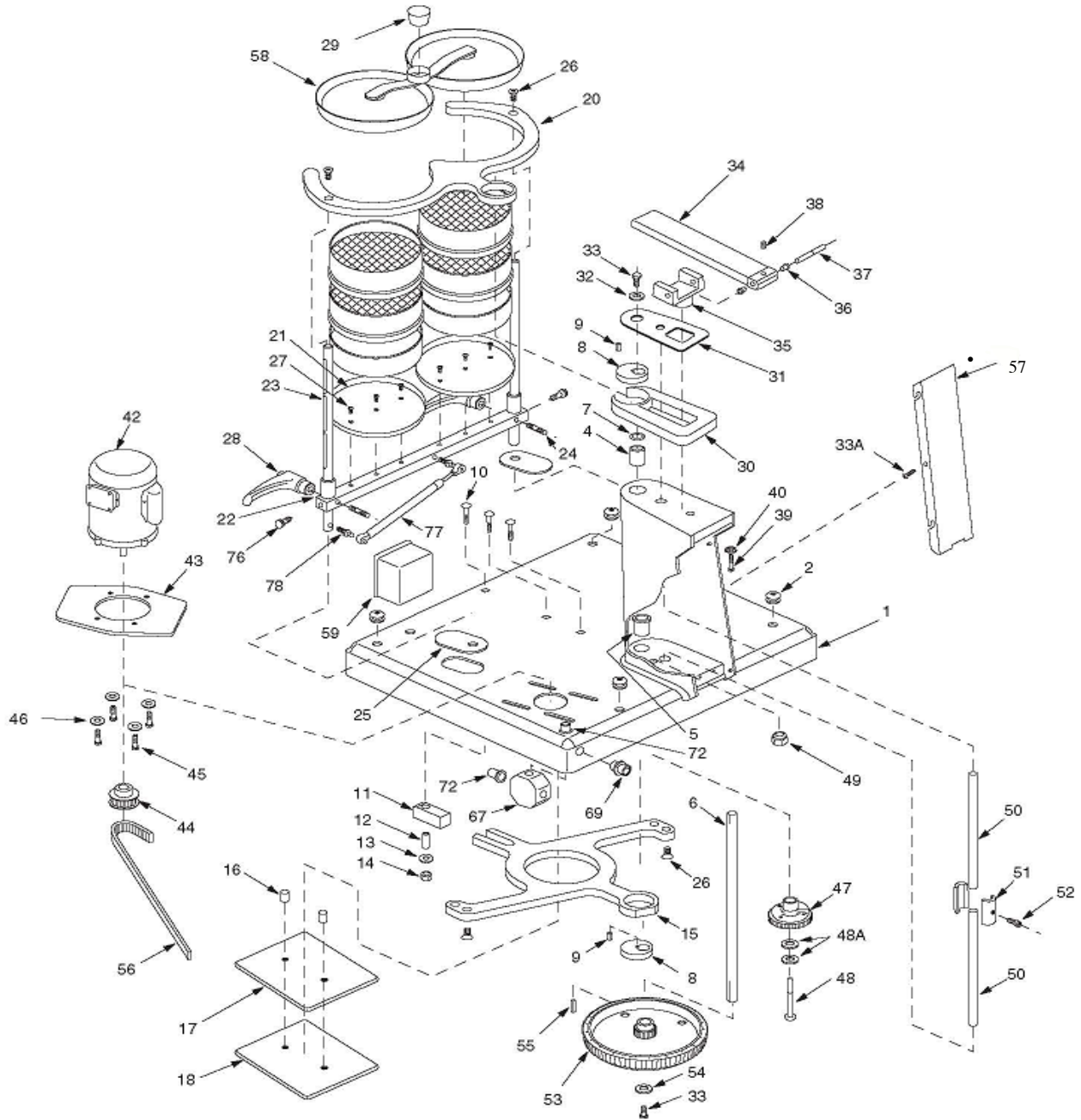


RO-TAP® RX-94 PARTS DIAGRAM



See Page 15 for Recommended Service Parts Kits

RO-TAP® RX-94 PARTS

ITEM NO.	PART NO.	DESCRIPTION	REQ'D.
1	R-40023	Painted Base Weldment	1
2	ZA11167	Grommet	4
4	R-10061	Flanged Bearing	1
5	R-10062	Bearing	1
6	R-20027	Mainshaft	1
7	R-10055	Shim 1.42 O.D. x .0155 Thick	1
8	R-10034	Eccentric Disc	2
9	R-10042	Main Shaft Key	2
10	ZF10174	3/8-16 x 2.25" Carriage Bolt	3
11	R-10032	Block	1
12	R-10065	Steel Bushing .62 O.D. x .385 I.D. x 1.25"	1
13	ZF10168	3/8" Flatwasher	1
14	ZF10221	3/8-16 Locknut	1
15	R-40017	Lower Carrying Plate	1
16	R-10028	Tube Spacer	2
17	R-20020	Bearing Plate	1
18	R-20019	Back-Up Plate	1
19	ZF10221	3/8-16 Locknut	2
20	R-40019	Upper Carrying Plate	1
21	R-30006	Support Plate	2
22	R-40018	Dual Sieve Support Clamp Bar	1
23	R-40021	Tie Rod	2
24	R-10079	Clamp Screw	2
25	R-20033	Shield	2
26	ZF10241	3/8-16 x .75" long Flat Head Screw	4
27	ZF10231	#10-32 x .50" long Flat Head Screw	6
28	R-20082	Adjustable Handles (pair)	1
29	R-10066-A	Cork Plug (10 cork plugs per pack)	1 pk.
30	R-30010	Rotating Guard Assembly	1
31	R-30019	Sheet Guard	1
32	R-10038	Upper Mainshaft Washer	1
33	114162	3/8-16 x .62" long Hex Head Cap Screw	2
34	R-20029	8" Hammer	1
35	R-20023	Hammer Block	1
36	R-10063	Flanged Bearing	2
37	R-10035	Hammer Pin	1
38	ZA10148	#10-24 x .25" long Flat Point Socket Hd. Cap Screw	1
39	ZZ10068	1/2-13 x 2.50" long Hex Head Bolt	1
40	ZZ10323	1/2 I.D. Lockwasher	1
41 *	R-10017	Standard Motor Cord w/Plug (<i>See page 21, for 2nd option</i>)	1
42	P-1500-23	Motor-1/4 HP115/230V60/50Hz1 phase	1
43	R-30018	Motor Adapter Plate	1
44	R-10070	Sprocket – 14 Teeth (1800 rpm) with Set Screw	1
45	ZF10183	3/8-16 x 1.00" long Hex Head Screw	4
46	ZF10168	3/8 I.D. Flat Washer	4
47	R-20039	Cam Gear	1
48	R-10029	Cam Shoulder Screw	1
48A	106582	1/2 I.D. Shim	2
49	ZF10222	1/2-13 Locknut	1
50	R-10036	Lift Rod	2
51	R-10030	Lift Rod Coupling	1
52	ZF10251	5/16-24 x 1.25" long Socket Head Cap Screw	1
53	R-30015	Timing Belt Pulley	1
54	ZF10271	3/8 I.D. x 1.50" O.D. Fender Washer	1
55	R-10039	Main Shaft Key (Lower)	1
56	R-10058	Timing Belt	1
57	R-40011	Pedestal Cover	1
58	R-40020	Dual Sieve Cover	1
59	R-40030	Timer Enclosure	1
60 *	R-40029	Electronic Timer (115v)	1
60A	R-40037	Electronic Timer (230v)	2
66	R-10118	3 1/4" Octagon Box (Appleton # 30)	1
77	R-10099-30	Gas Spring (Guden #CGS24-30)	1
78	114165	Spring Stud (Guden #BS101-02)	2

* Items not shown